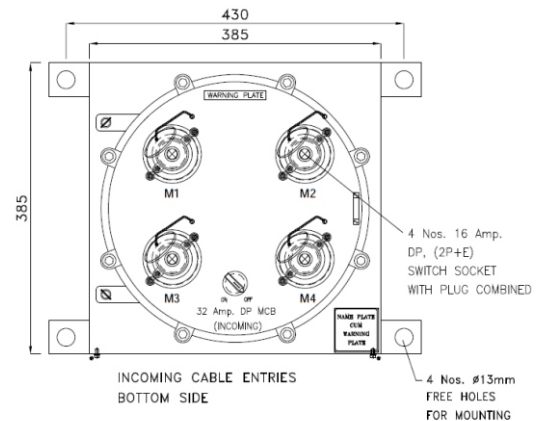




# DATA SHEET FOR FLP MULTIPLE SWITCH SOCKET

## TECHNICAL DATA:

- PRODUCT : CAT. NO. RCP/2C/2022
- ENCLOSURE : FLAME PROOF (Ex -d), Gas Group IIA, IIB, IIC  
As per IS/IEC 60079-1 : 2014
- PROTECTION : WEATHER PROOF IP – 66 AS PER IS/IEC 60529:2001  
(Reaffirmed 2014)
- AREA CLASS : Ex db IIC T6 Gb ( EX tb / tc IIIC T85 C Db/Dc  
( ZONE 1 & 2 & Zone 21 & 22 )
- CERTIFICATION : CIMFR, BIS, PESO
- TEMP CLASS : T 6
- MATERIAL : DIE CAST ALUMINIUM ALLOY
- FINISH : EPOXY POWDER COATED SHADE AS PER IS : 5
- EARTHING : 1 No INTERNAL & 2 No's EXTERNAL
- HARDWARE : STAINLESS STEEL
- GASKET : 'O' RING ENDLESS GASKET NEOPRENE / SILICON
- NAME PLATE : SS NAME PLATE CUM WARNING PLATE
- SWITCH : UP TO 32 AMP
- SOCKET : UP TO 32 AMP
- PLUG TOP : UP TO 32 AMP (4P + E)
- INTERLOCK : INTERLOCKING ARRANGEMENT SUCH AS  
THE PLUG CAN NOT BE REMOVED  
WHEN THE SWITCH IS IN "ON" POSITION AND  
CAN BE WITHDRAW ONLY  
WHEN THE SWITCH IS IN "OFF" POSITION



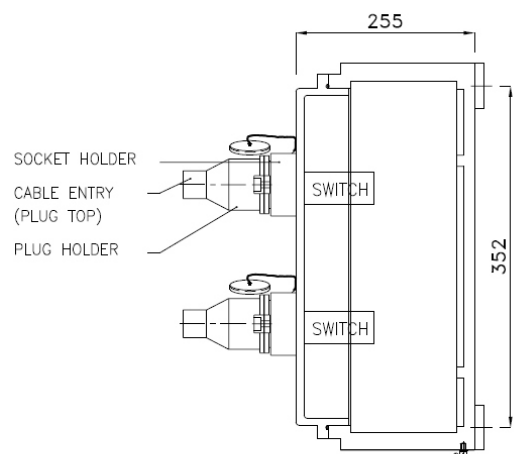
FRONT VIEW

### OPTIONS

SR.NO	PARTICULAR	OPTIONS
1.	MATERIAL OF CONSTRUCTION	STAINLESS STEEL
2.	GLAND & PLUG	BRASS / SS / ALUMINIUM
3.	COLOUR SHADE	631, 632, 355, 7031, 7032 etc.
4.	VOLTAGE	230 V AC / 415 V
5.	TRANSFORMER	WITH TRANSFORMER
6.	ENTRIES / TERMINAL	AS PER RATING OF SOCKET
7.	CANOPIY	M.S POWDER COATED / FRP /GI

### SELECTION CHART

SR.NO	SWITCH SOCKET COBINATION
1	4 NOS UP TO 32 A DP 2 P + E
2	6 NOS UP TO 32 A TPN 4 P + E
3	8 NOS UP TO 32 A TPN 4 P + E
4	10 NOS UP TO 32 A TPN 4 P + E
5	12 NOS UP TO 32 A TPN 4 P + E



SIDE VIEW

NOTE:- SWITCH SOCKET CAN BE PROVIDED WITH ELCB, RCBO & MCB COMBINATION AS WELL